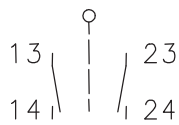


## Metal bodied limit switch Series D

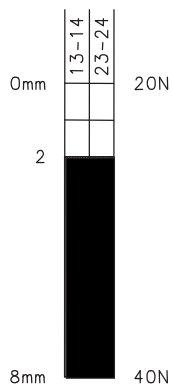
Description **D-E2 RW**

Article number **6041818052**

### Operating symbol



### Operating diagram

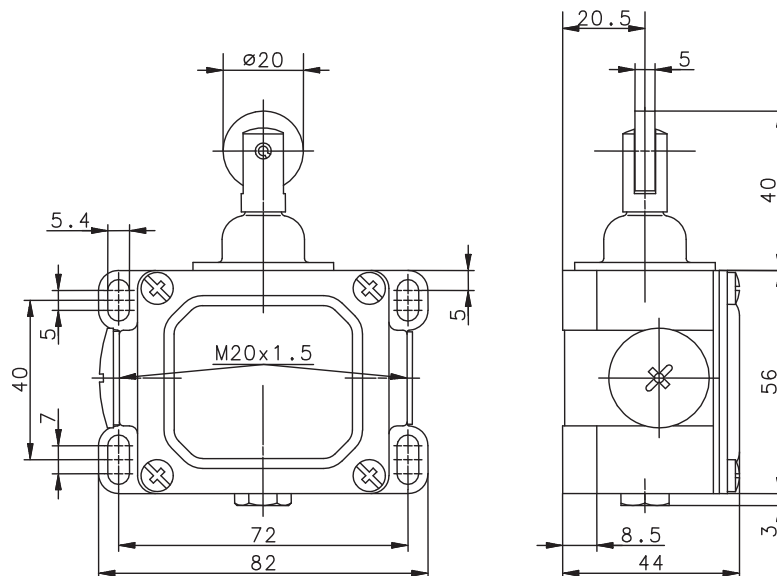


On



Off

Tolerance:  
Operating Point  $\pm 0,25$  mm;  
Operating force  $\pm 10$  %



### Electrical Data

Rated insulation voltage	$U_i$	400 V AC
Conv. thermal current	$I_{the}$	10 A
Rated operational voltage	$U_e$	240 V
Utilization category		AC-15, $U_e/I_e$ 240 V / 3 A
Direct opening action	$\ominus$	IEC/EN 60947-5-1, Annex K
Short-circuit protective device		Fuse 10 A gG
Protection class		I

Mechanical data	
Enclosure	Die-cast aluminium
Cover	Sheet aluminium
Actuator	Push bolt with roller (st)
Ambient air temperature	-30 °C ... +80 °C
Contact type	2 NO
Mechanical life	10 x 10 <sup>6</sup> switching cycles
Switching frequency	≤ 100 / min.
Assembly	4 x M5
Connection	4 screw connections (M4)
Conductor cross-sections	Solid: 0,5 ... 1,5 mm <sup>2</sup> or Litz wire with ferrules: 0,5 ... 1,5 mm <sup>2</sup>
Cable entrance	2 x M20 x 1,5
Weight	≈ 0,28 kg
Installation position	operator definable
Protection type	IP65 acc. to IEC/EN 60529

ID for safety engineering	
B10d	20 x 10 <sup>6</sup> switching cycles

Actuation	
By loosening the 4 screws the actuation assembly can be rotated in 90 degree increments such that 4 actuation directions are possible. The actuation assembly is to be again fastened to the housing using the 4 screws.	

Standards	
VDE 0660 T100, DIN EN 60947-1, IEC 60947-1	
VDE 0660 T200, DIN EN 60947-5-1, IEC 60947-5-1	
DIN EN ISO 13849-1	

EU Conformity	
acc. to directive 2006/95/EC	

Approvals	
cCSA <sub>US</sub> A300 (same polarity)	

Notes	
The degree of protection (IP code) specified applies solely to a property closed cover and the use of an equivalent cable gland with adequate cable.	